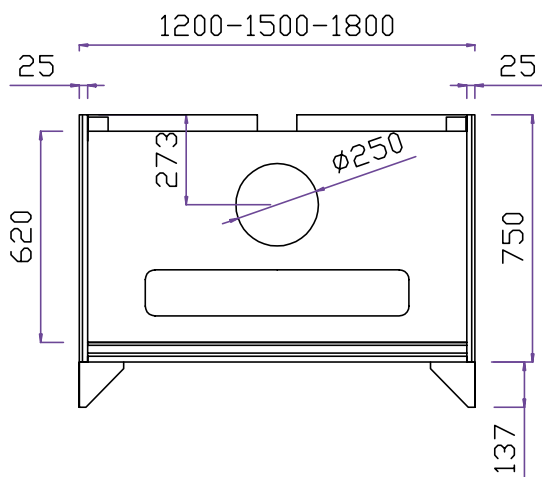


AUTOPORTANTE ICP EN

**ASEM**® Fume Cabinets **AS**EM®  
 CEEN 14175-2-3-4-5-6-7

**favs**  
 di GNUDI A. & C. S.a.S.  
 40127 Bologna - Via Tartini, 14/A  
 Tel. 051501153 - Fax 0516336182  
 www.favs.it - info@favs.it



**AUTOPORTANTE  
 ICP EN  
 IN POLIPROPILENE**

- ICP220PP** 1200 L x 887 P x 2500 A mm
- ICP250PP** 1200 L x 887 P x 2500 A mm
- ICP280PP** 1200 L x 887 P x 2500 A mm

