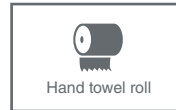




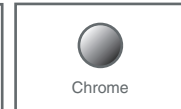
PRODUCT DATA SHEET

4095

CONSUMABLES

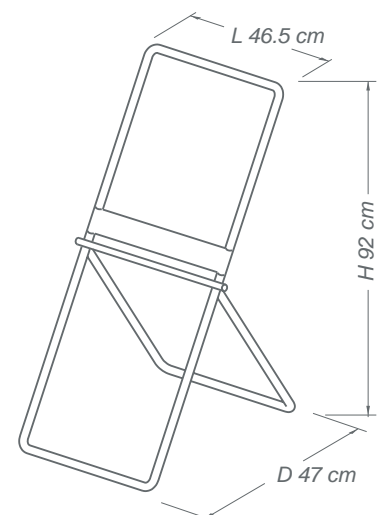


AVAILABLE COLOURS



TECHNICAL DATA

- **Code:** 4095
- **Description:** floor industrial paper roll holder
- **Capacity:** Øe max 45 cm
L max 35 cm
Ø core from 4 to 7 cm
- **Working system:** manual cutting
- **Delivery system:** manual
- **Net weight:** 2,1 Kg



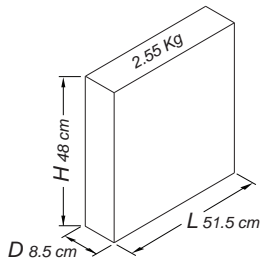
PRODUCTION AND SALES DETAILS

STANDARD RANGE

HAND TOWEL ROLL	
4095/TSV	white tubes and blade, yellow plastic PP components
4095/TOO	chrome tubes and blade, yellow plastic PP components

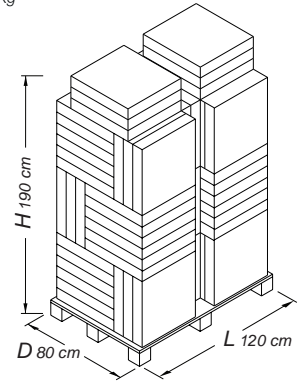
PACKAGING

SINGLE PACKAGING



SINGLE PACKAGING PALLET

66 DISPENSERS PER PALLET
GROSS WEIGHT 180 Kg
NET WEIGHT 138 Kg



SPARE PARTS AND ACCESSORIES

