

# VARIO® chemistry pumping unit MD 1C VARIO

Order no.: 20696662

**FAVS**  
**Scientific Equipment**  
 di Gnudi Andrea e Antonella S.r.l.  
 Tel. 051501153  
[www.favs.it](http://www.favs.it) • [info@favs.it](mailto:info@favs.it)

## Performance features

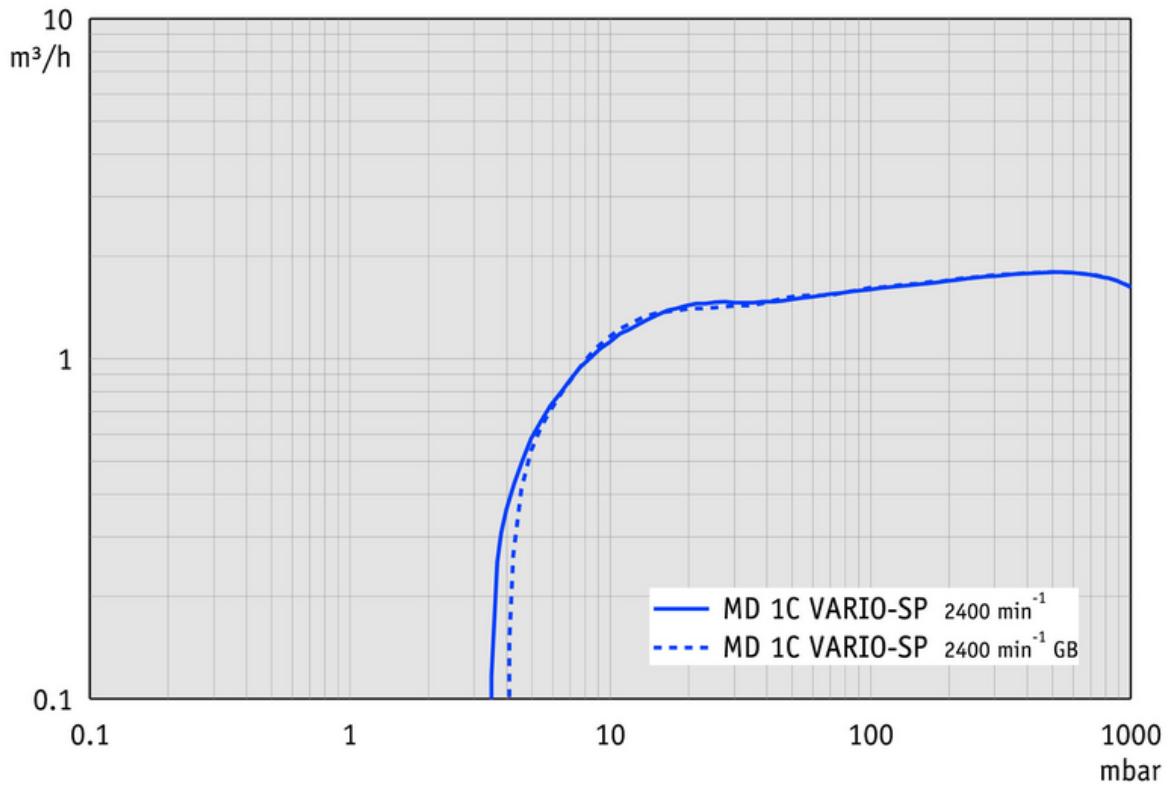
- outstanding chemical resistance and superior vapor tolerance
- exceptionally high performance even at low vacuum
- excellent ultimate vacuum even with gas ballast
- whisper quiet and ultra low vibration



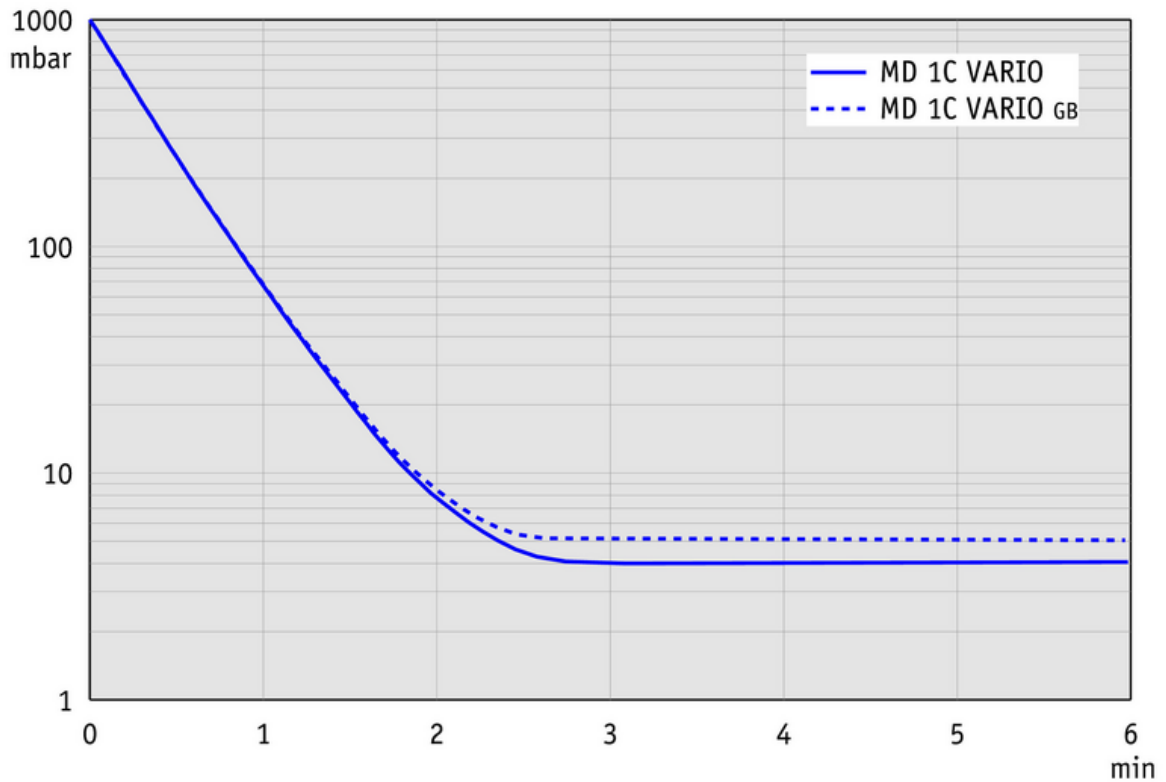
## Technical data

Vacuum controller		CVC 3000
Number of heads / stages		4 / 3
Max. pumping speed at 50/60 Hz	m <sup>3</sup> /h	1.9 /
Ultimate vacuum (abs.)	mbar/torr	5 / 3.75
Ultim. vac. (abs.) with gas ballast	mbar/torr	7 / 5.25
Ambient temperature range (operation)	°C	10 - 40
Ambient temperature range (storage)	°C	-10 - 60
Max. back pressure (abs.)	bar	1.1
Inlet connection		Hose nozzle DN 8-10 mm
Outlet connection		Hose nozzle DN 8-10 mm
Rated motor power	kW	0.16
Motor speed range	min <sup>-1</sup>	200 - 2400
Protection class		IP 20
Dimensions (L x W x H), approx.	mm	294 x 193 x 299
Weight, approx.	kg	6.0
Noise level at 50 Hz, typ.	dBA	42
CE mark		Yes
ATEX conformity		II 3/- G IIC T3 X Internal Atm. only
Items supplied		Pump completely mounted, ready for use, with manual
Accessories		Rubber vacuum tubing DN 8 mm (20686001)

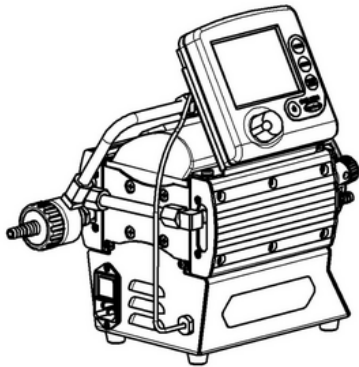
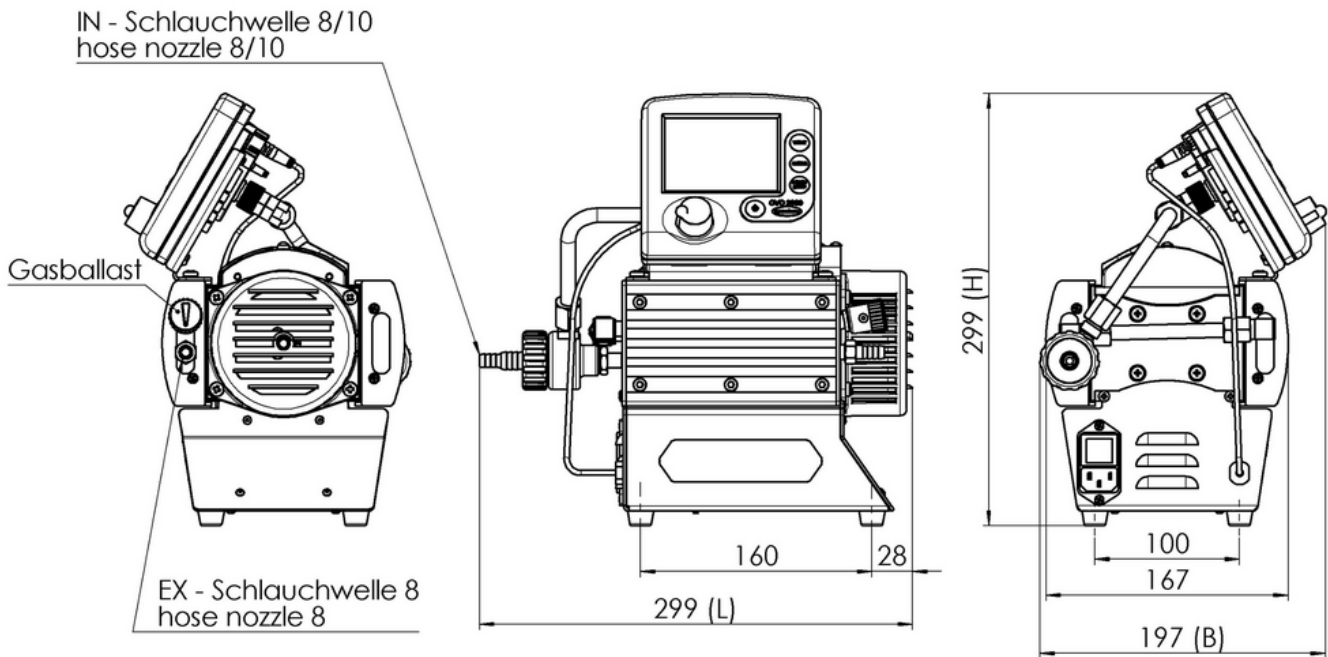
Pumping speed graph at 50 Hz



Pump down graph at 50 Hz  
(10 l volume)



## Dimension sheet



Gewicht / weight 6,0 kg  
Alle Maße / all dimensions (mm)

VACUUBRAND MD 1C VARIO  
Version 2017/07/06

## Ordering data

Product name	Mains voltage and frequency	Plug	Order no.
MD 1C VARIO	200-230 V~ 50-60 Hz 100-120 V~ 50-60 Hz	CEE, IN	20696660